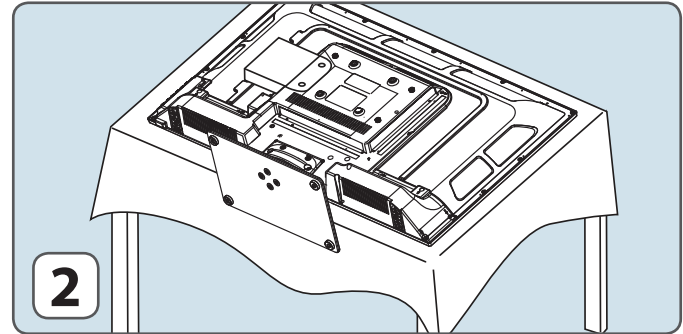
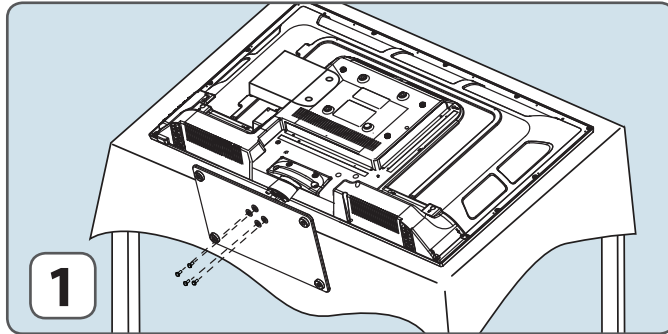


# Quickstart Guide

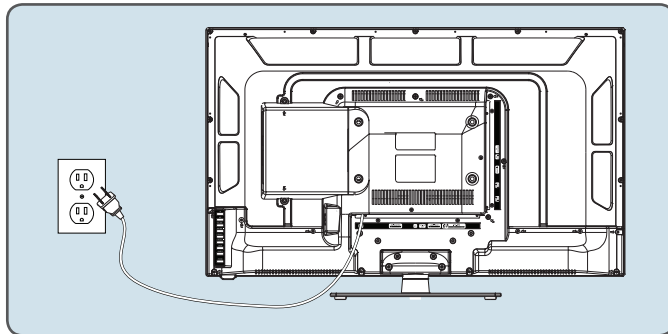


## Connecting the Stand



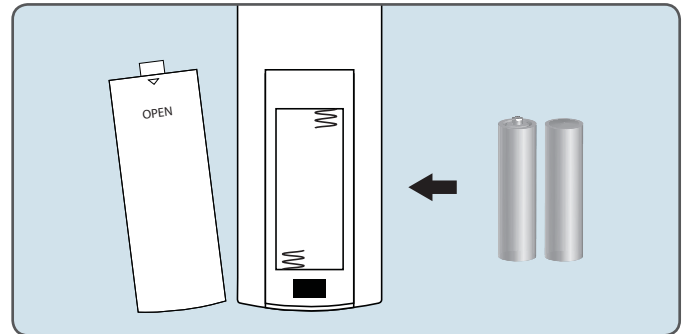
When placing TV on flat surface, be careful not to push, scratch, or otherwise damage the front of the TV and LCD screen. Using a phillips-head screwdriver, tighten the screws by hand. Using a power drill could damage the TV stand.

## Power



Plug the power cord on the back of the TV into a standard wall outlet.

## Remote Batteries



Remote control: requires 2, AAA-size, batteries (included)

# Quickstart Guide



## Connecting Cable/TV Antenna

You will need: a Cable/Antenna wire (not included).

1. Connect the **Cable/Antenna** wire to the input on the television.
2. Press the **Source** button to switch to **TV mode**.
3. Press the **Setup** button to access the setup menu.
4. Press the **Arrow** (◀ ▶) buttons to highlight the **Channel** icon, and press the **Enter** button.
5. Press the **Arrow** (▲ ▼) buttons to highlight **Air/Cable**, and press the **Arrow** (◀ ▶) buttons to select **AIR or Cable**.
6. Press the **Arrow** (▲ ▼) buttons to highlight **Auto Scan**, and press the **Enter** button to begin scanning for available channels.

*Note: Initial channel scanning process may take up to 15 min.*

## Connecting a Media Player/Streaming/Gaming Device

### If the Device has an HDMI Output:

- Connect the HDMI output on the Device to the **HDMI INPUT** on the television using an HDMI cable (not included).

### If the Device has a Composite Video Output:

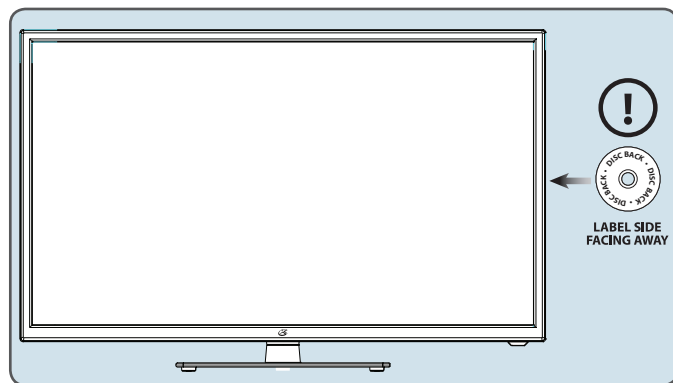
- Connect the video output on the Device to the **COMPOSITE VIDEO INPUT** on the television using an A/V RCA cable (not included).
- Connect the audio output on the Device to the **RCA AUDIO INPUT** on the television.

### If the Device has a Component Video Output:

- Connect the video output on the Device to the **COMPONENT VIDEO INPUT (YPbPr)** on the television using a component cable (not included).
- Connect the audio output on the Device to the **RCA AUDIO INPUT** on the television using a stereo audio cable.

### After Connecting Your Device:

- Press the **Source** button to switch to **HDMI 1, 2, AV or YPbPr**.



## Playing a DVD or CD

Note: This unit is not compatible with MP3 CDs.

1. Insert a DVD or CD into the slot-load disc drive, with the **label side of the facing the rear of the television**. Once a DVD or CD is loaded into the television, the TV will automatically switch to DVD mode.
2. Press the **Play/Pause** button on the remote or TV to begin playing the loaded disc.

## DVD Setup Menu

In DVD mode, press the **DVD Setup** button to access the DVD setup menu. Press the DVD Setup button to exit the DVD setup menu.