



Movie+ Projector with Bluetooth

User's Guide for Model PJ504 v3351-01

For the most up-to-date version of this User's Guide, go to www.gpx.com

Safety Instructions & Warnings

Important Safety Instructions

- Read these Instructions.
- Keep these Instructions.
- Heed all Warnings.
- Follow all instructions.
- Do not use this apparatus near water.
- Clean only with a dry cloth.
- Do not block any ventilation openings. Install in accordance with the manufacturer's instructions.
- Do not install near any heat sources such as radiators, heat registers, stoves, or other apparatus (including amplifiers) that produce heat.
- Do not defeat the safety purpose of the polarized or grounding - type plug. A polarized plug has two blades with one wider than the other. A grounding type plug has two blades and a third grounding prong. The wide blade or the third prong are provided for your safety. When the provided plug does not fit into your outlet, consult an electrician for replacement of the obsolete outlet.
- Protect the power cord from being walked on or pinched particularly at plugs, convenience receptacles, and the point where they exit from the apparatus.
- Only use attachments/accessories specified by the manufacturer.
- Unplug this apparatus during lightning storms or when unused for long periods of time.
- Refer all servicing to qualified service personnel. Servicing is required when the apparatus has been damaged in any way, such as power-supply cord or plug is damaged, liquid has been spilled or objects have fallen into the apparatus, the apparatus has been exposed to rain or moisture, does not operate normally, or has been dropped.
- Use only with a cart, stand, tripod, bracket, or table specified by the manufacturer, or sold with the apparatus. When a cart is used, use caution when moving the cart/apparatus combination to avoid injury from tip-over.



FCC Warnings

Warning: Changes or modifications to this unit not expressly approved by the party responsible for compliance could void the user's authority to operate the equipment.

NOTE: This equipment has been tested and found to comply with the limits for a Class B digital device, pursuant to Part 15 of the FCC Rules. These limits are designed to provide reasonable protection against harmful interference in a residential installation. This equipment generates, uses, and can radiate radio frequency energy and, if not installed and used in accordance with the instructions, may cause harmful interference to radio communications. However, there is no guarantee that interference will not occur in a particular installation. If this equipment does cause harmful interference to radio or television reception, which can be determined by turning the equipment off and on, the user is encouraged to try to correct the interference by one or more of the following measures:

- Reorient or relocate the receiving antenna.
- Increase the separation between the equipment and receiver.
- Connect the equipment into an outlet on a circuit different from that to which the receiver is connected.
- Consult the dealer or an experienced radio/TV technician for help.

This equipment complies with FCC radiation exposure limits set forth for an uncontrolled environment. This equipment should be installed and operated with a minimum 20cm distance between the unit and your body.

Additional Warnings and Precautions

- Do not look directly into the projector light.
- Use in well-ventilated area with ambient temperature between 41°F–104°C (5°C–40°C).
- Do not block any ventilation openings.
- To prevent risk of overheating, place the projector in an area that does not block ventilation, such as an enclosure or cabinet that might restrict airflow.
- Do not place the projector on an unstable surface, such as a loose stack of books, bed, or cushion.
- Do not cover the projector with a blanket, curtain, or similar items.
- If setting up near a wall, leave at least 10 in. (25cm) between the wall and the projector's ventilation ports.
- Use a power outlet that can be easily accessed and unplugged.
- Do not block the light coming out of the lens. The light will heat the object and may cause burns, cause it to melt or catch fire.
- When powering off the projector, allow the cooling cycle to finish before handling or disconnecting the power supply.
- Do not use the projector if it has been damaged. Damage could be (but not limited to):
 - Unit has been dropped or something has been dropped on it or into it.
 - Something is loose or rattling inside the unit.
 - Projector has been exposed to rain or liquid.
 - Power supply or power cord is damaged.
- Do not use the projector in places where flammable gases or explosives may be present.
- Do not use the projector in the following conditions:
 - Extremely hot, cold, or humid environments
 - Environments with excessive amounts of dust and dirt in the atmosphere.
 - Near appliances generating a strong electromagnetic field or heat.
 - In direct sunlight.
- If the air vents become clogged or dirty, use a vacuum or air compressor and nozzle to clean. Do not use canned air, as the gas may leave a residue inside the enclosure.
- **CAUTION: TO PREVENT ELECTRIC SHOCK, MATCH WIDE BLADE OF PLUG TO WIDE SLOT, FULLY INSERT.**
- Mains plug is used as disconnect device and it should remain readily operable during intended use. In order to disconnect the apparatus from the mains completely, the mains plug should be disconnected from the mains socket outlet completely.
- **CAUTION:** Use of controls or adjustments or performance of procedures other than those specified may result in hazardous radiation exposure.
- **WARNING:** Changes or modifications to this unit not expressly approved by the party responsible for compliance could void the user's authority to operate the equipment.
- **WARNING:** Use of this unit near fluorescent lighting may cause interference regarding use of the remote. If the unit is displaying erratic behavior move away from any fluorescent lighting, as it may be the cause.
- **WARNING:** Shock hazard - Do Not Open.
- Caution and marking information is located at the rear or bottom of the apparatus.
- **WARNING:** To reduce the risk of fire or electric shock, do not expose this apparatus to rain, moisture, dripping, or splashing.

- Objects filled with liquids, such as vases, shall not be placed on the apparatus.
- Do not place any objects, heavy or otherwise, on the projector.
- This product meets and complies with all Federal regulations.
- See projector enclosure for related safety markings.
- No user serviceable parts inside, do not attempt to open the unit or perform any repair. Doing so may cause damage or injury and will void your warranty.
- Refer all repairs or replacement to qualified service personnel.
- Stop using the projector and unplug the power source immediately if you notice the following:
 - Smoke coming from the unit or power supply.
 - Strange odors or noises coming from the unit.
 - Liquid or foreign objects have gotten inside the unit.
 - Unit has been dropped and enclosure has been damaged.



WARNING: To reduce the risk of electric shock, do not remove cover (or back). No user-serviceable parts inside. Refer servicing to qualified service personnel.



The exclamation point within an equilateral triangle is intended to alert the user to the presence of important operating and maintenance (servicing) instructions in the literature accompanying the appliance.



The lightning flash with arrowhead symbol, within an equilateral triangle, is intended to alert the user to the presence of un-insulated "dangerous voltage" within the product's enclosure that may be of sufficient magnitude to constitute a risk of electric shock to persons.



This symbol indicates that this product incorporates double insulation between hazardous mains voltage and user accessible parts.



WARNING : This product can expose you to chemicals including lead, which is known to the State of California to cause cancer and birth defects or other reproductive harm. For more information go to www.P65Warnings.ca.gov. **This product meets and complies with required Federal product guidelines.**

Table of Contents

Overview

Features - 5

Includes - 5

Projector

Features & Inputs - 6-7

Remote

Functions - 8

Batteries - 8

Projector Setup

Power - 9

Projector Placement - 9

Angle Adjustment - 9

Viewing Options - 10

Image Adjustment - 10

Ceiling Mount - 11

Menu Options

Home Screen - 12

Picture Menu - 13

Sound Menu - 14

Options Menu - 15

BT Device Menu - 16

Keystone Menu - 17

Connecting to Other Devices

HDMI - 18

USB Screen Mirroring - 19

Audio/Video Input - 20

Pairing to Bluetooth Wireless Speakers or Sound Bar - 21

External Audio - 21

USB Storage Devices - 22

Customer Support

Contact Information - 23

Warranty - 23

International Support - 23

Overview

Features

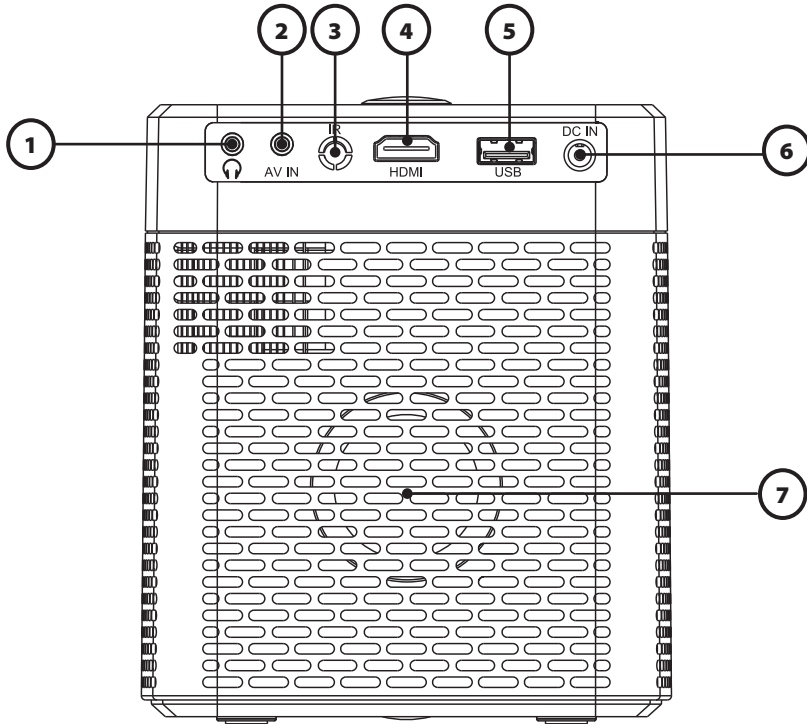
- Native Resolution: 1280 x 720 (720p)
- Supports 480p, 720p, 1080i, 1080p
- Aspect Ratio: 16:9, 4:3, Full, Auto
- Brightness: 120 ANSI lumens
- Bluetooth transmitter
- I/O: HDMI, USB, Audio out (3.5mm), AV In
- Supports USB Cast
- 30" to 140" viewable screen size
- Display distance: 2.6–12.4 ft. (0.8–3.8m)
- Supports mpeg1, mpeg2, mpeg4, mp3, rm, rmvb, avi, mov, divx, mkv, bmp, png, and jpeg
- Built-in speaker
- Keystone angle correction and focus adjust

Includes

- Remote control: requires 2 AAA batteries (not included)
- AC/DC power adapter
- User's Guide

Projector

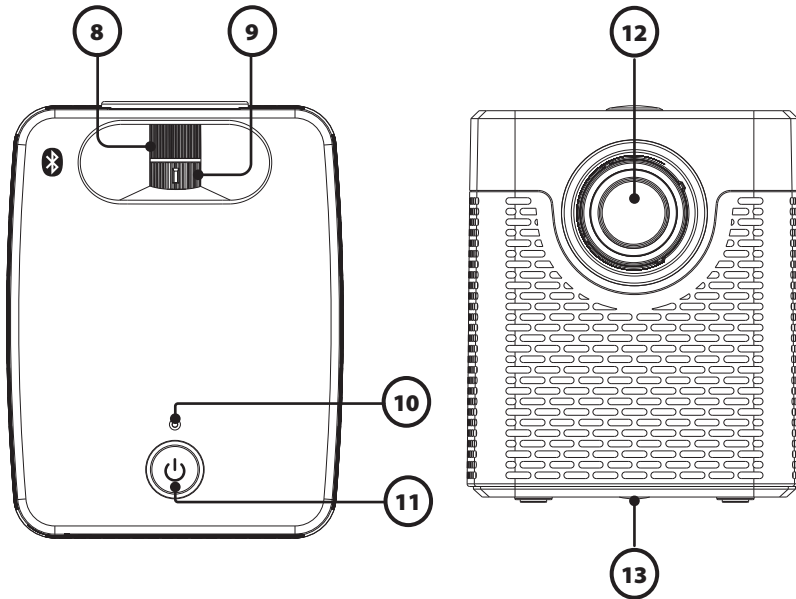
Features & Inputs



- 1. Audio Out Port**
- 2. AV In Port**
- 3. IR Sensor** - Sensor for receiving remote commands.

- 4. HDMI Port**
- 5. USB Port**
- 6. DC In Port**
- 7. Speaker**

Projector



- 8. Focus Adjust Knob** - Turn to adjust screen focus by changing the image size.
- 9. Keystone Adjust Knob** - Turn to adjust image distortion.

10. Power Indicator

- 11. Power Button** - Press once to turn the projector on. Press and hold to enter standby mode.

12. Lens

- 13. Angle Adjustment Knob** - Turn to raise or lower the projector height and angle.

Remote

Functions

Note: This projector does not have any operation buttons on the unit itself other than the power button. It can only operate using the remote.

Operation Indicator

Power

Press to power ON.
Press to power OFF.

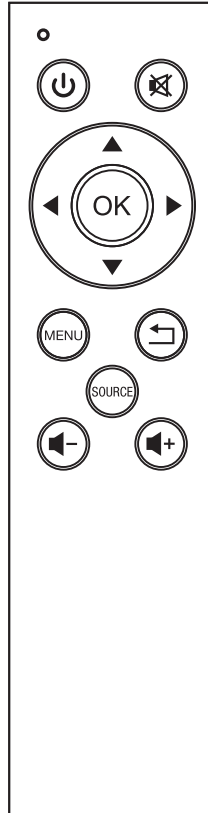
Menu
Press to access projector Settings.

Source

Press to select media source
(AV, HDMI, USB).

Volume -

Press to decrease audio level.



Mute

Press to mute volume.

Arrows/OK

Press to navigate and confirm selections in Settings and other menu(s).

Exit

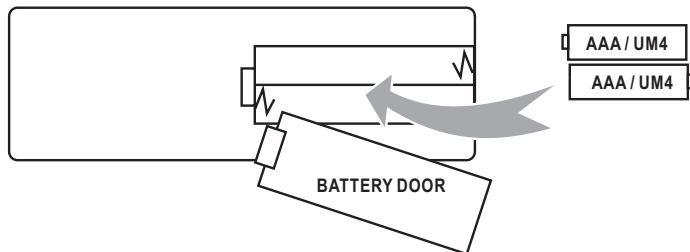
Press to exit menu(s).

Volume +

Press to increase audio level.

Batteries

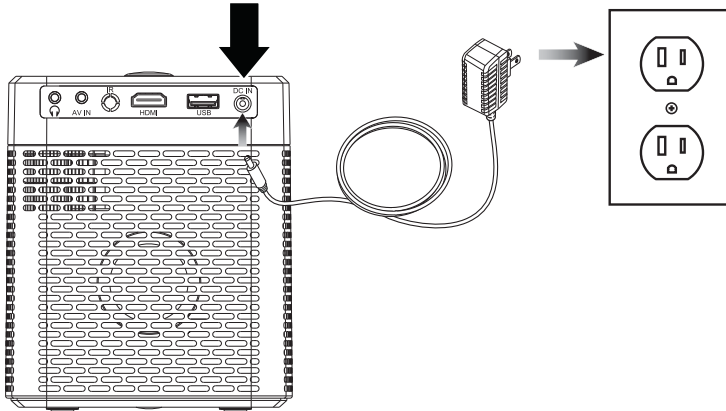
Requires 2 AAA batteries (not included).



Projector Setup

Power

Plug the AC/DC power adapter (included) into a standard wall outlet and the DC power input on the rear of the unit. After connecting power, please allow approximately 5 seconds to pass before powering the unit ON.

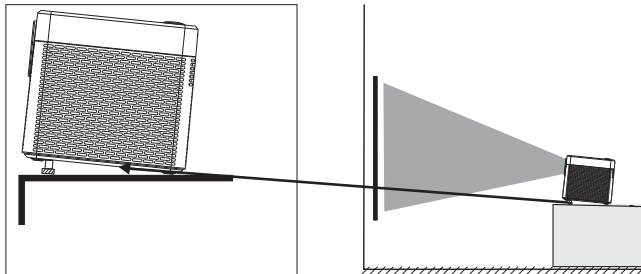


Projector Placement

For best results, place the projector in a dark room or other dimly lit area. The projector will display a screen size from 30" to 140". Adjust the projector angle and distance to best suit your needs.

Use the unit with a dedicated projector screen for best picture resolution. If placing the projector behind the viewing screen (unit in front of/projecting toward viewers), a special screen will be required. Projector screens are not included. If you are not using the unit with a screen, a smooth, white, or lightly colored surface will provide the best results.

Angle Adjustment



Use the Angle Adjustment Knob to fine tune the projector's height.

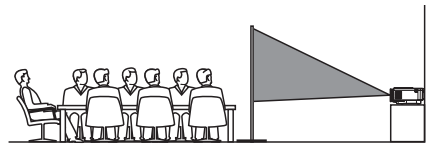
Projector Setup

Viewing Options

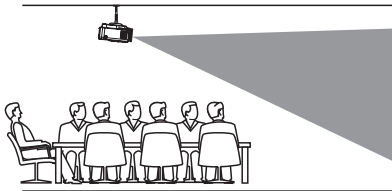
The projector can be used to project onto a wall or screen. It can be mounted from a ceiling or placed on a table. Be sure to aim the remote at the sensor on the front or rear of the projector. See page 6 for sensor locations on the projector. When projecting from the rear position, a special screen will be needed (not included) to display the image.



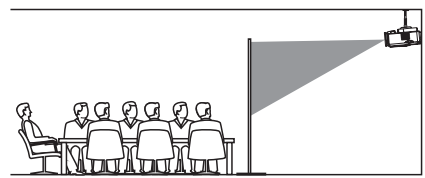
FRONT TABLE



REAR TABLE

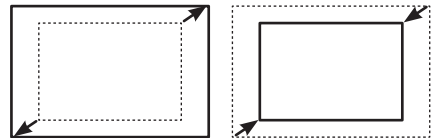
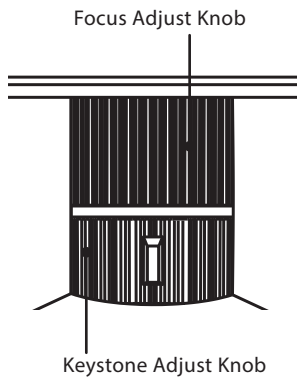


FRONT CEILING



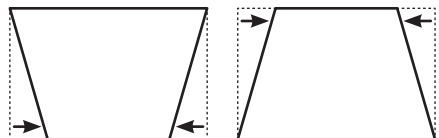
REAR CEILING

Image Adjustment



Focus Adjustment

Increase or reduce image size to sharpen image.



Keystone Adjustment

Adjust image corners to reduce image distortion.

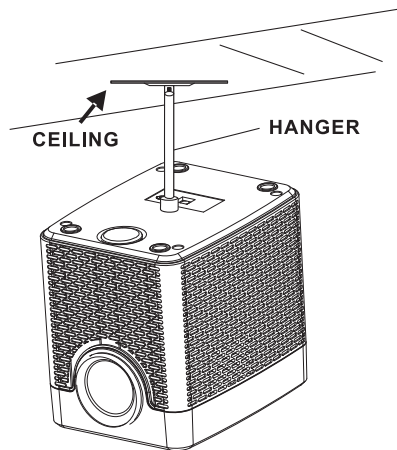
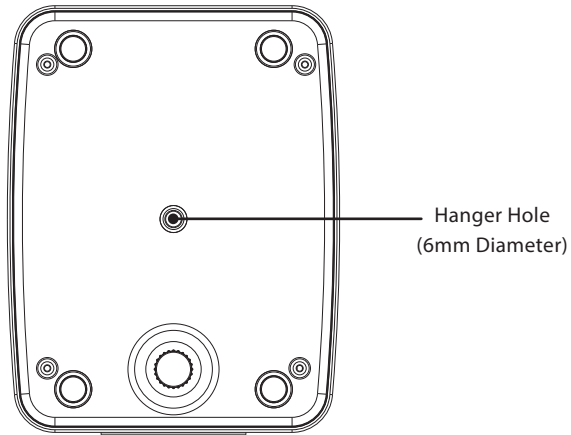
Projector Setup

Ceiling Mount

To mount the projector from the ceiling, you will need mounting hardware as recommended by a professional. Mounting hardware and instructions are not included.

Before mounting, be sure the ceiling structure can support the weight of the projector and the mount itself. It is recommended to have this unit mounted by a professional.

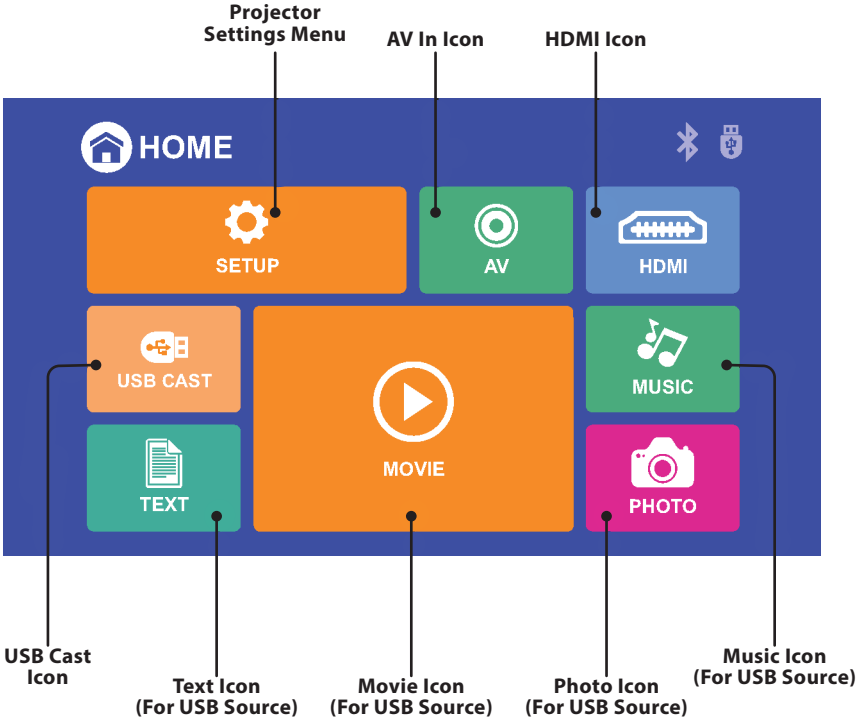
Projector Bottom View



Menu Options

Home Screen

This is the default screen that will appear after powering on the projector. The icons that appear will either access different sources to play from or take you to additional menus.

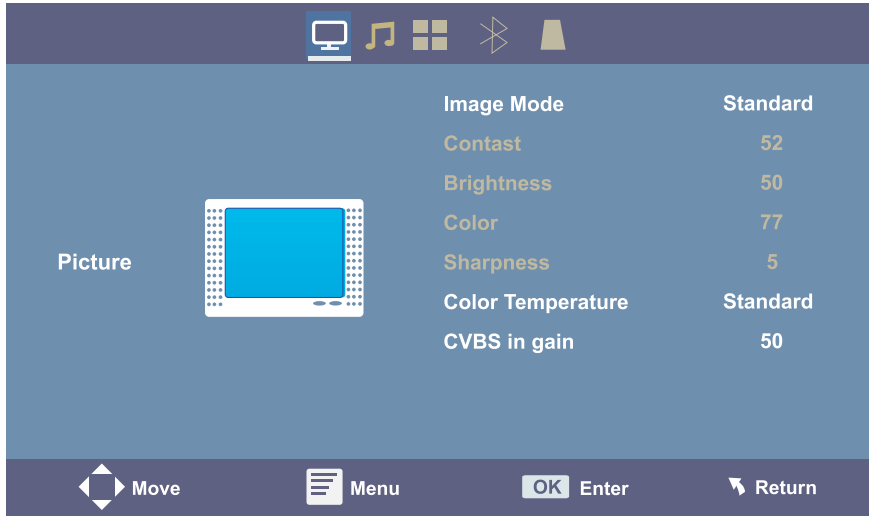


Menu Options

Access the projector settings menu by pressing the Menu button on the remote.

Note: Not all settings are user adjustable.

Picture Menu



1. Image Mode

Use the **Arrow** Buttons on the remote to select Standard, Dynamic, Mild, or User (custom). The User setting allows you to adjust Contrast, Brightness, Color, and Sharpness.

2. Contrast

Set the contrast level between 0 and 100 using the **Arrow** buttons on the remote.

3. Brightness

Set the brightness level between 0 and 100 using the **Arrow** buttons on the remote.

4. Color

Set the color level between 0 and 100 using the **Arrow** buttons on the remote.

5. Sharpness

Set the sharpness level between 0 and 100 using the **Arrow** buttons on the remote.

6. Color Temperature

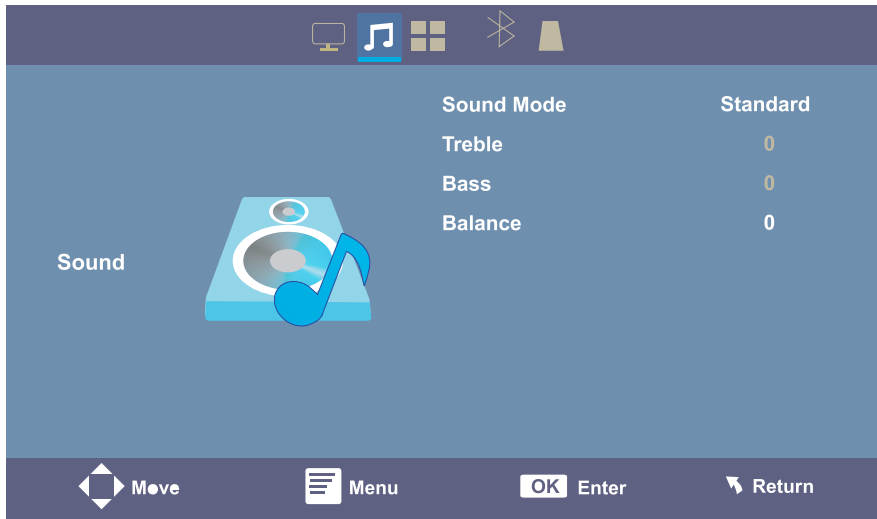
Select Cool, Medium, or Warm using the **Arrow** buttons on the remote.

7. CVBS in Gain

Set the CVBS gain level between 0 and 100 using the **Arrow** buttons on the remote.

Menu Options

Sound Menu



1. Sound Mode

Select Standard, Movie, Music, Sports, and User (custom). The User setting allows you to adjust the Treble and Bass levels.

2. Treble

Set the treble level between -10 and +10 using the **Arrow** buttons on the remote.

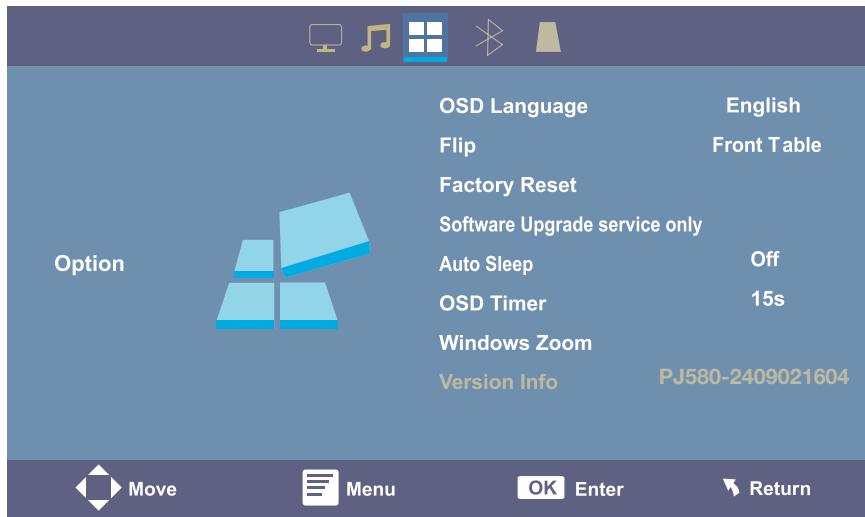
3. Bass

Set the bass level between -10 and +10 using the **Arrow** buttons on the remote.

4. Balance

Set the balance level between -24 and +24 using the **Arrow** buttons on the remote.

Options Menu



1. **OSD Language**

Select English, French, or Spanish for the On Screen Display.

2. **Flip**

Use the **Arrow** buttons on the remote to select Front Table, Front Ceiling, Rear Table, or Rear Ceiling.

3. **Factory Reset**

Reset the projector and restore all default settings by selecting **OK** or **Close**. **OK** will return the projector to factory default settings.

4. **Software Update service only**

For service center use only.

5. **Auto Sleep**

Select the Auto Sleep Timer. Using the **Arrow** buttons on the remote, to select Off, 10m (minutes), 20m, 30m, 60m, 120m, or 180m.

6. **OSD Timer**

Select the length of time the OSD will appear on the screen. Using the **Arrow** buttons on the remote, select Off, 5s (seconds), 10s, 15s, 20s, 25s, or 30s.

7. **Windows Zoom**

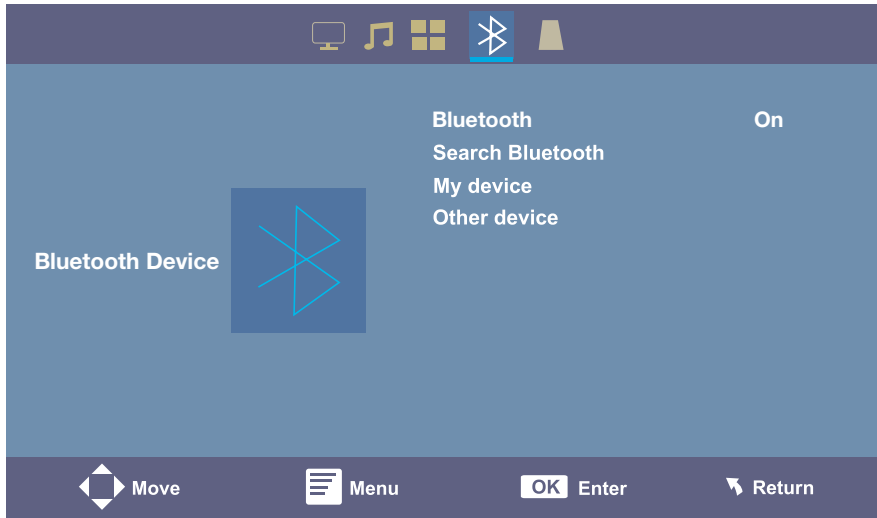
Use the **Arrow** buttons on the remote to select 4:3 (aspect ratio), 16:9 (aspect ratio), Zoom -, Zoom +, or Reset.

8. **Version Info**

Displays the current version of the projector.

Menu Options

Bluetooth Device Menu



1. Bluetooth

Turn the projector Bluetooth On or Off. **Note:** Bluetooth is off by default. Turning Bluetooth on allows you to search for Bluetooth devices.

2. Search Bluetooth

After turning Bluetooth on, press the OK button on the remote to search for nearby Bluetooth receiving devices (speakers, soundbars, etc.) Found devices will appear under either My Device or Other Device.

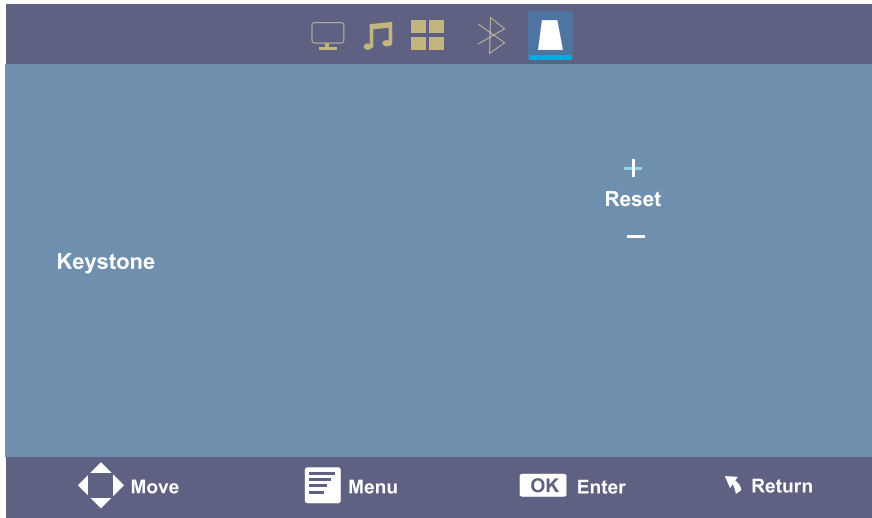
3. My Device

Bluetooth receiving devices that the projector has connected to before will appear under this heading after searching for Bluetooth devices.

4. Other Device

Bluetooth receiving devices that the projector has not connected to before will appear under this heading after searching for Bluetooth devices. When searching for Bluetooth devices for the first time, all devices will appear under this heading.

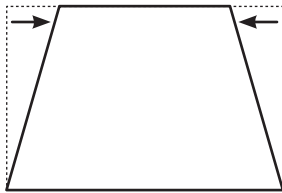
Keystone Menu



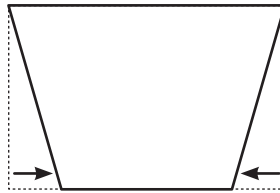
1. Keystone Mode

Using the Arrow and OK buttons on the remote, select the + or - settings to adjust the keystone angle. Select Reset to return to the default keystone angle.

Angle Adjust +



Angle Adjust -



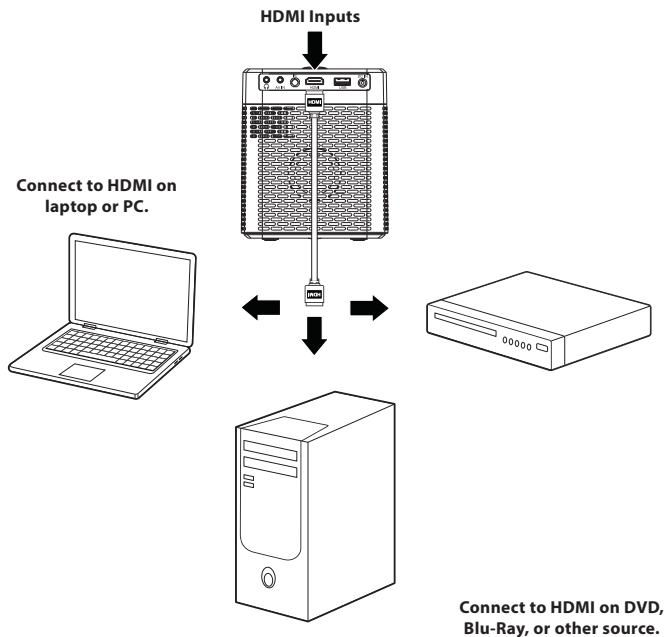
Connecting to Other Devices

HDMI

HDMI offers superior sound and picture quality and is the easiest way to play media from a computer, Blu-Ray player, or other device with an HDMI output.

Requires an HDMI cable (not included) and a device with an HDMI output.

1. Press the **Power** button on the projector to enter Standby mode.
2. Using an HDMI cable, connect the **HDMI input** on the projector to the **HDMI output** on your media player or computer.
3. Press the **Power** button on the projector to turn the unit on.
4. On the home screen, use the **Arrows** and **OK** buttons on the remote to highlight and select the **HDMI** icon. Use the controls on the connected device to select and play media.



Note: Due to copyright issues, this projector does not support direct playback of Netflix, Amazon, or Disney streaming properties through a TV or laptop HDMI connection. However, you can stream these services using a streaming stick inserted into the HDMI port of the projector. When using a streaming stick, follow the use instructions included with the device.

Note: If no sound plays from the internal speaker on the projector while playing from an HDMI input source, please check the external player's digital audio settings and make sure the setting is on "PCM Stereo" mode.

Connecting to Other Devices

USB Screen Mirroring

USB Screen Mirroring allows you to project images from your phone using a wired USB connection. Follow the directions for your device's operating system.

iOS Wired Connection (iPhone)

1. Press the **Power** button on the projector to enter the Home Screen menu. Use the **Arrows** and **OK** buttons on the remote to highlight and select the **USB Cast** icon.

Note: If the projector is already on and you want to switch to USB Screen Mirroring from another source, press the **Source** button on the remote and select MEDIA to return to the Home Screen.

2. Using a USB-C to USB cable or USB to lightning cable (both not included), connect the **USB port** on the projector to your phone. The images on your phone screen will appear through the projector.
3. Press the **OK** button on the remote to rotate the projected screen image, if needed.

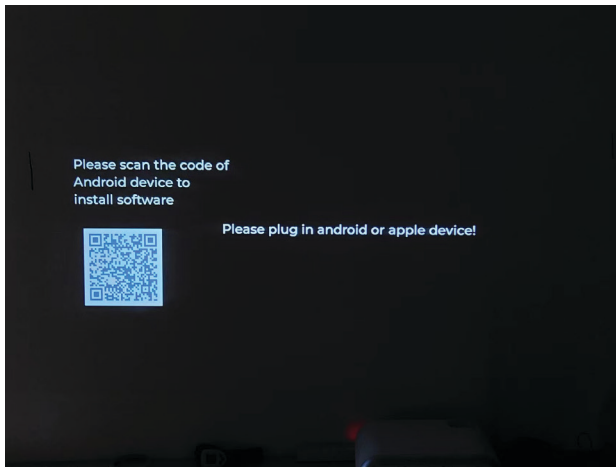
Android Wired Connection

1. Press the **Power** button on the projector to enter the Home Screen menu. Use the **Arrows** and **OK** buttons on the remote to highlight and select the **USB Cast** icon.

Note: If the projector is already on and you want to switch to USB Screen Mirroring from another source, press the **Source** button on the remote and select MEDIA to return to the Home Screen.

2. When connecting an Android phone for the first time, scan the QR code from the projector screen to access the HCCast app. Download and install the app on your phone.

Note: Please scan the QR code that appears on the projection. The QR code from the projection will be updated with software changes.



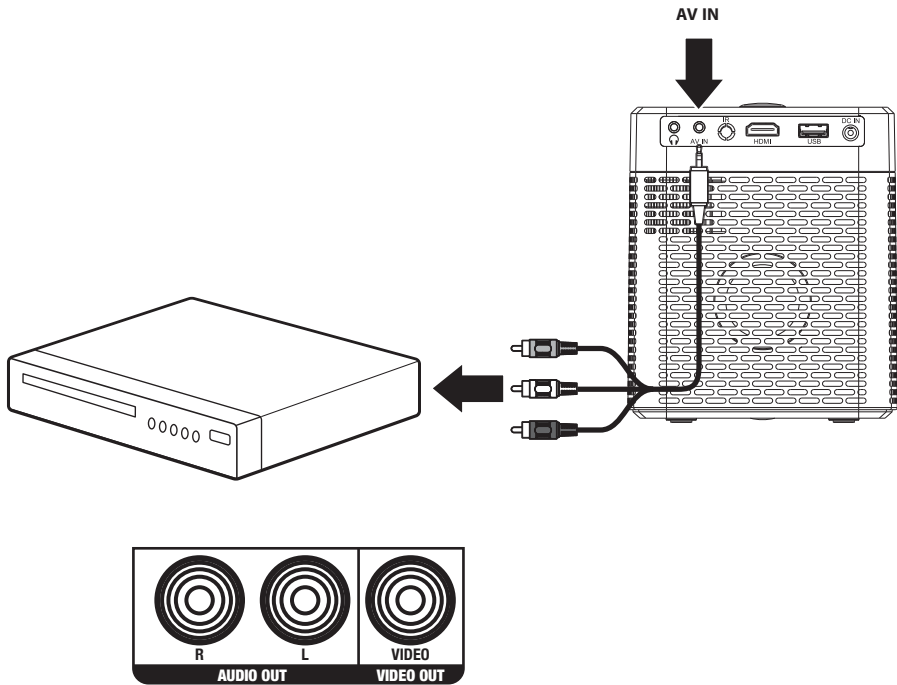
3. Using a USB-C to USB cable or Micro-USB to USB cable (both not included), connect the **USB port** on the projector to your phone. The images on your phone screen will appear through the projector.

Connecting to Other Devices

Audio/Video Input

Requires a 3.5mm to RCA audio/video cable (not included).

1. Press the **Power** button on the projector to enter Standby mode.
2. Connect the 3.5mm to RCA audio/video cable to the AV input on the unit.
3. Connect the 3.5mm to RCA audio/video cable to the RCA stereo audio outputs and composite video output on the media player.
4. Press the **Power** button to turn the Projector on.
5. On the home screen, use the **Arrows** and **OK** buttons on the remote to highlight and select the **AV** icon. Use the controls on the connected device to select and play media.



Connect AV cable (not included)
to media player's AV outputs.

Audio Left Channel - White

Audio Right Channel - Red

Video - Yellow

Connecting to Other Devices

Pairing to Bluetooth Wireless Speakers or Sound Bar

NOTE: Bluetooth is **OFF** by default when the projector first powers ON. Bluetooth can be turned **ON** or **OFF** from the **Bluetooth Device Menu**.

1. Enable Bluetooth on the receiver (external speakers, sound bar, etc.) to which you wish to connect. *Devices such as smartphones, tablets, or computers are not Bluetooth receivers and will not connect to the projector. To eliminate confusion, you should disable Bluetooth on all receivers to which you do not wish to connect.*
2. Power on the projector. Press the Menu button on the remote. Use the **Arrows** and **OK** buttons on the remote to highlight and select the **Bluetooth Device** menu.
3. In the **Bluetooth Device** menu, use the **Arrows** and **OK** buttons on the remote to change the **Bluetooth** setting to **ON**.
4. Use the **Arrow** buttons to select Search Bluetooth and press **OK** to start searching for available devices.
5. Use the **Arrow** buttons to highlight your desired Bluetooth speaker or soundbar and press **OK** to select.
6. When successfully paired, the Bluetooth receiver should indicate it is connected, usually with a chime or other audible noise. *Check the user manual on your Bluetooth receiver for more information.*
7. When successfully connected, the projector will display the Bluetooth receiver's name on the Home Screen, and sound played from the projector will be heard through the Bluetooth receiver.

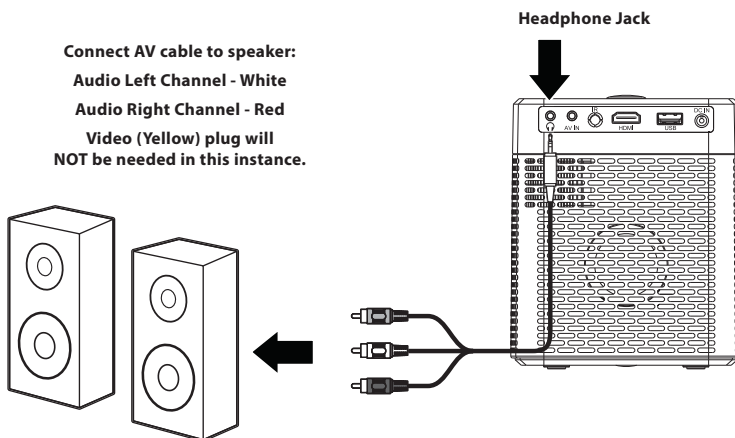
After initial pairing, the projector and the Bluetooth speakers will stay paired unless unpaired manually by the user or erased due to a reset of either device. If this occurs or you find either unit is unable to connect, repeat the above steps. To disconnect Bluetooth, enter the **Bluetooth Device** menu and change the Bluetooth setting to **OFF**.

External Audio

Requires a 3.5mm to RCA audio/video cable (not included).

Note: Speakers must have their own power supply.

1. Press and hold the **Power** button on the projector to enter Standby mode.
2. Using a 3.5mm to RCA stereo cable, connect the external powered speakers to the **Headphone Jack** on the projector. *Note: The yellow video plug will not be needed in this setup and will not need to be connected.*
3. Press the **Power** button to turn on the projector. The projector will automatically detect the connection and send audio signal to the speakers.



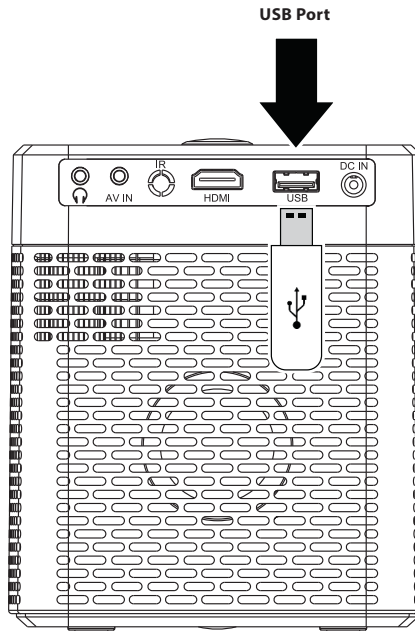
Connecting to Other Devices

USB Storage Devices

Supports USB drives up to 256GB NTFS format. Supports mpeg1, mpeg2, mpeg4, mp3, rm, rmvb, avi, mov, divx, mkv, bmp, png, and jpeg

1. Press the **Power** button on the projector to enter Standby mode before inserting a USB drive. Then, insert into the USB port and turn the unit on.
2. On the home screen, use the **Arrow** buttons to select **Movie/Photo/Music/Text**, then press the **OK** button to enter the menu.
3. Select "C" or the device name as the source to begin playing content from the connected storage device.
4. Use the **Arrow** buttons to search for the file you wish to playback and press the **OK** button to select.

Note: Before removing an inserted USB drive, first press the **Power** button to enter standby mode.



Customer Support

Contact Information

Website: www.gpx.com

Email Support: prodinfo@dpiinc.com

Email Parts: partsinfo@dpiinc.com

Phone Support: 1-888-999-4215

Warranty

For Warranty Information and the most up-to-date version of this User's Guide, go to: www.gpx.com

International Support

To download this User's Guide in English, Spanish, and French, or to get answers to frequently asked questions, visit the support section at: www.gpx.com

Para descargar este Manual del Usuario en inglés, español y francés, o para obtener respuestas a preguntas frecuentes, visite la sección de apoyo en: www.gpx.com

Pour télécharger ce guide de l'utilisateur en anglais, espagnol ou français, ou pour obtenir des réponses à des questions fréquemment posées, consultez la rubrique d'assistance sur: www.gpx.com

Copyright © 2024 Digital Products International (DPI, Inc.) All other trademarks appearing herein are the property of their respective owners. Specifications are subject to change without notice.



***Protect for Today
Sustain for Tomorrow***

